



# EMILIA MODENA OVEN SERIES

## 60cm FAN FORCED ELECTRIC OVEN



### Model: EF64MEI

#### SPECIFICATIONS:

- Fan forced electric oven
- Large 69 litre oven capacity
- Internal dimensions 450W x 340H x 450D
- Triple glass insulated door

- Automatic cooling fan
- Manual timer

#### OVEN FUNCTIONS

- Light
- Fan assisted grill
- Fan forced
- Grill

#### FEATURES:

- Full glass inner door
- Removable inner glass for cleaning
- Full width oven door handle
- Black glass door
- Closed door electric grill

#### TECHNICAL:

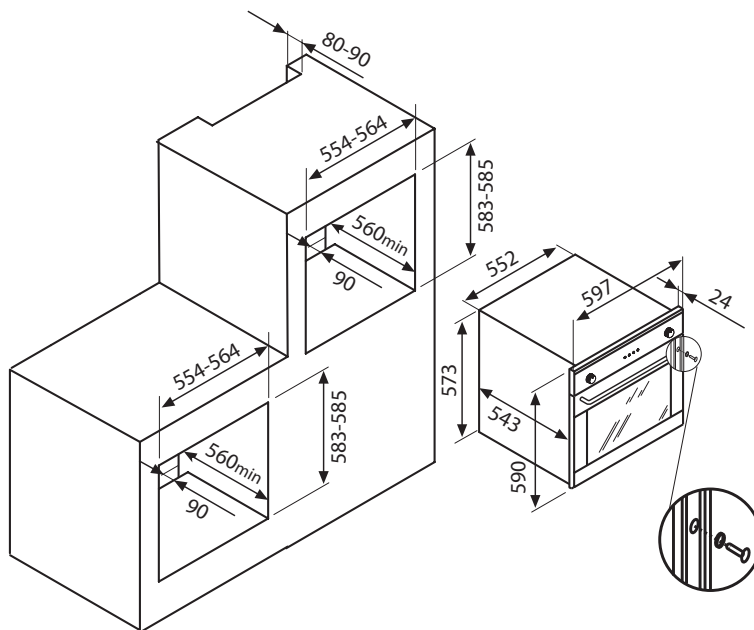
- Only requires a 10 amp connection
- Maximum electrical consumption 2318W

#### INCLUDED:

- 2 wire racks
- Grill tray with rack
- Removable oven side racks

2 Year warranty

Made in Italy by Glem Gas.



Please note:

Every effort has been made to ensure this information is correct. However, due to product improvement Emilia Glem reserves the right to make changes to products without prior notice.