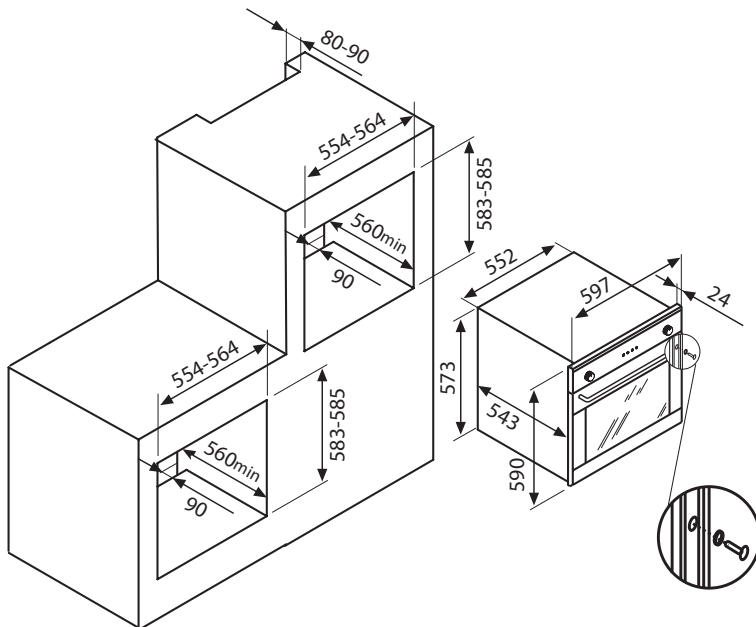


EMILIA MODENA OVEN SERIES

60cm BUILT IN FAN ASSISTED GAS OVEN



Model: EMF61MVI

SPECIFICATIONS:

Fan assisted built in gas oven
 Large 69 litre oven capacity
 Internal dimensions 450W x 340H x 450D

Triple glass insulated door

Automatic cooling fan

Electronic ignition

OVEN FUNCTIONS

Light

Fan Assisted Baking

Classic bake - no fan running

Electric Grill Fan Assisted

Electric Grill Static - no fan running

FEATURES:

Full glass inner door

Removable inner glass for cleaning

Manual timer

Metal door handle

Black door glass

Closed door electric grill

TECHNICAL:

Only requires a 10 amp connection

ABLE TO OPERATE WITHOUT ELECTRICAL CONNECTION.

Maximum electrical consumption 2300W

Maximum gas consumption 7.5 Mj/H natural gas

Maximum gas consumption 8.5 Mj/H LPG

LPG conversion kit included. Easy conversion.

Suitable for easy flexible gas hose connection.

PERFECT FOR SOLAR POWER APPLICATIONS

INCLUDED:

2 wire racks

Grill tray with rack

LPG Conversion kit

Removable oven side racks

2 Year warranty

Made in Italy by Glem Gas.

Please note:

Every effort has been made to ensure this information is correct. However, due to product improvement Emilia Glem reserves the right to make changes to products without prior notice.