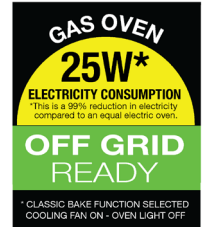




Engineered in Italy  
for Australia.



## EMF61MVI

### 60cm Stainless Steel FAN ASSISTED GAS OVEN



#### TITANIUM ENAMEL - EASY TO CLEAN

Low porosity titanium enamel reduces dirt build up. The titanium enamel is resistant to the attack of acids and maintains its colour over time even after intensive use.

#### TRIPLE GLASS DOOR

Triple Glass ventilated door keeps surface temperatures down. Much more comfortable and safer.

#### OFF GRID READY

Electricity consumption is one percent of equivalent electric ovens making it ideal for homes on solar power. The oven is able to operate during a black out and a full LPG conversion kit is included.

#### SAFETY VALVE

If for any reason the burner flame extinguishes the gas stops flowing. The gas will not flow until the burner has been ignited.

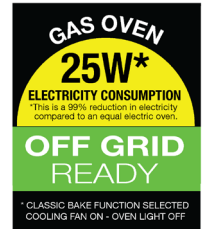
## TECHNICAL FEATURES

MAIN FEATURES	
Oven Features	Fan assisted GAS Cooking
	4 Cooking Functions
	Automatic Cooling Fan
Gross Volume	69 Litres
Detachable Side Racks	4 Shelf Levels
Control	Knob Control
Cooling Fan	YES
Timer	60 Minute timer
Maximum Temperature	260 C
Total Max Power Consumption	2300W
Electrical Connection	10amp Plug in
Gas Consumption Natural Gas	7.5 Mj/H
Gas Consumption LPG Gas	8.5 Mj/H
Flexible Hose Connection Approved	YES
DESIGN	
Colour	Black Glass, Stainless Steel
Oven Light	YES
Inner Door	Full Glass - Removable
Handle	Stainless Steel
Door Construction	Triple Glass Ventilated
ACCESSORIES	
Side Racks	2
Wire Shelves	2
Grill Tray	1
Insert Rack for Grill Tray	1
LPG Conversion Kit	YES
Instruction Manual	YES

OVEN CAVITY	
Finishing	Titanium Easy Clean
Side Chromed Racks	YES
Underfloor Gas Burner	YES
Internal Dimensions	450W x 340H x 450D
OVEN DOOR	
Full glass inner door	YES
Triple glass door	YES
Removable inner glass	YES
FUNCTIONS	
Cooling fan - Automatic	YES
Thermostat	YES
1. Fan Bake	YES
2. Classic Bake	YES
3. Fan Grill, Electric (closed door)	YES
4. Grill, Electric (closed door)	YES
PEFORMANCE	
Can Operate Without Power	YES
Manual Lighting Option	YES
TECHNICAL FEATURES	
Natural Gas Operation	YES
LPG Gas Operation (Conversion)	YES
Voltage/Frequency	240V 50Hz
WARRANTY	
3 Years Parts and Labour	In home service



Engineered in Italy  
for Australia.



# EMF61MVI

## 60cm Stainless Steel FAN ASSISTED GAS OVEN



### INSTALLATION NOTES

#### Gas Installation

the oven must be installed by a licensed gas fitter who must sign off the installation to complete the requirements to activate the 3 year warranty. The gas oven needs to be installed with a minimum 50mm cavity underneath to allow air flow to the burner.

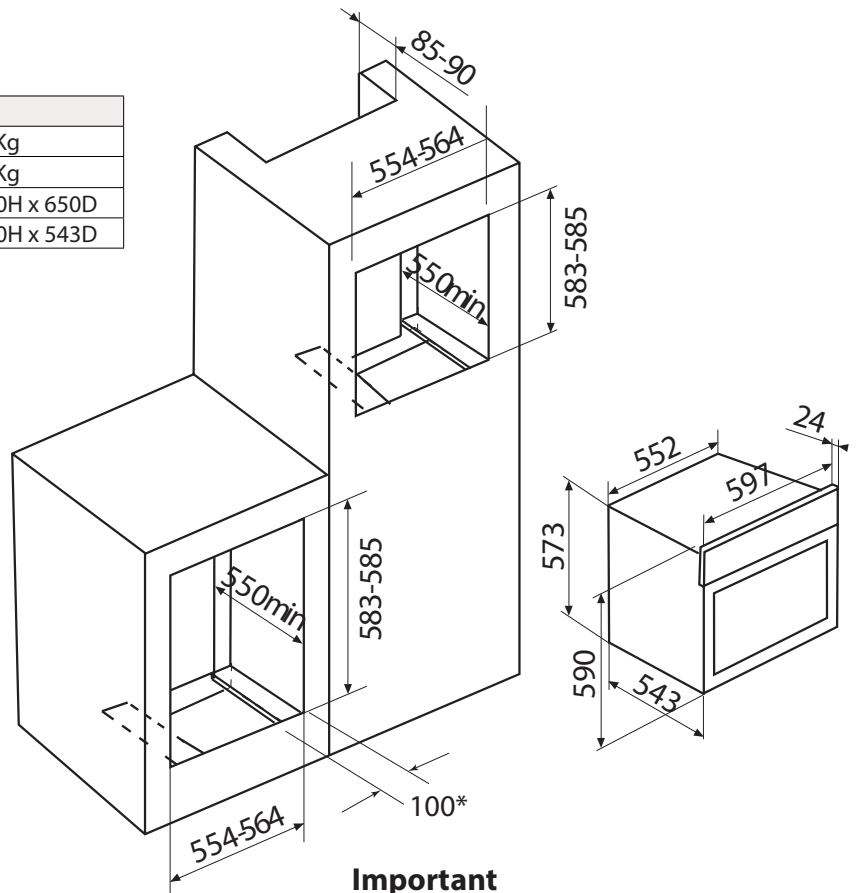
#### Electrical Connection

The oven has a 1.2M cord with a 10 amp plug fitted. This is a simple plug in connection. The oven should be installed with a unique circuit, not sharing the connection with other appliances.

#### 3 Year Warranty

A full nationwide 3 Year Warranty applies. Proof of purchase and proof of correct installation by a licensed installer is required for warranty service. Call Emilia Glem on 1 300 307 917 for details.

DIMENSIONS & WEIGHTS	
Unpacked Weight	39Kg
Packed Weight	45Kg
Packed Dimensions	640W x 690H x 650D
Unpacked Dimensions	597W x 590H x 543D



### Important

\*100mm WIDE SUPPORT EACH SIDE  
WITH 50mm CLEARANCE UNDERNEATH

Please note:

Every effort has been made to ensure this information is correct. However, due to product improvement Glem reserves the right to make changes to products without prior notice.

Glem Gas Australasia Pty. Ltd.  
www.emiliaappliances.com.au